

LOW DISTORTION LINE MATCHING TRANSFORMER

P3357

Features

- * Low Distortion
- * Lead-free (Pb-free)
- * RoHS compliant
- * 12.6mm (0.5") Seated Height
- * Industry Standard Pinout
- * IEC 60950 and UL 60950 Certified
- * UL Recognized Component
- * Extended Frequency Response
- * Flat TX and RX Responses
- * Simple Matching
- * Low Insertion Loss
- * Vacuum encapsulated

Applications

- * V.90 and V.92 Modems
- * V.34 Modems
- * Fax Machines
- * Instrumentation

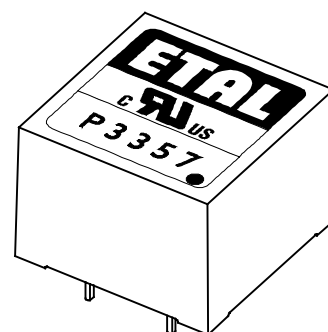
DESCRIPTION

P3357 is intended for V.90 and V.92 (56kbps) modems and other high-speed applications where ultra-low distortion at moderate power levels and very low voiceband frequencies is required at a competitive price.

P3357 is a vacuum encapsulated version of P3356 with the benefits of greater mechanical robustness and breakdown strength. The part is completely lead-free, compliant with RoHS Directive 2002/95/EC, and suitable for lead-free and conventional processing.

P3357 uses patented design and construction methods to achieve excellent signal performance and safety isolation to international standards. P3357 is certified to IEC 60950 and UL 60950. P3357 is a UL Recognized Component and is supported by an IEC CB Test Certificate.

P3357 has exceptionally flat frequency response from 30Hz to 10kHz, a 3dB bandwidth of over 50kHz and requires only the very simplest of matching to achieve good return loss and transhybrid loss across the voiceband, with very low levels of signal distortion at signal frequencies as low as 150Hz.



SPECIFICATIONS

Electrical

At T = 25°C and as circuit Fig. 2 unless otherwise stated.

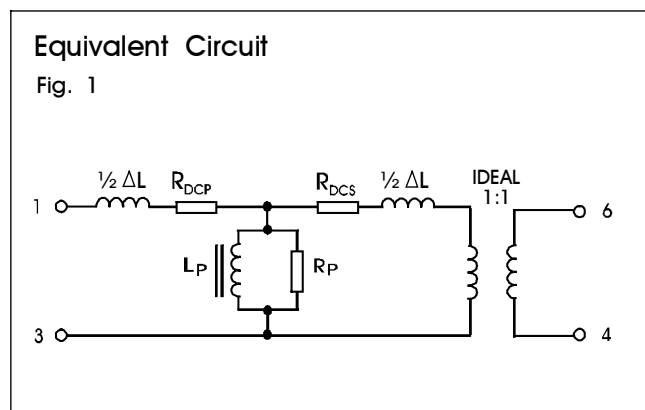
Parameter	Conditions	Min	Typ	Max	Units
Insertion Loss	f = 2kHz, R _L = 600Ω	-	1.5	-	dB
Frequency Response	LF -3dB cutoff	-	10	-	Hz
	HF -3dB cutoff	-	55	-	kHz
	100Hz – 4kHz	-	-	±0.1	dB
Return Loss ⁽⁵⁾	200Hz – 4kHz	16	-	-	dB
Transhybrid Loss ⁽⁵⁾	200Hz – 4kHz	20	-	-	dB
Third Harmonic Distortion ⁽¹⁾	150Hz -3dBm in line	-	-70	-	dBm
	200Hz -10dBm in line	-	-89	-	dBm
Voltage Isolation ⁽²⁾	50Hz	2.12	-	-	kVrms
	DC	3.0	-	-	kV
Operating Range:	Functional	0	-	+70	°C
	Storage	-40	-	+85	°C

Lumped equivalent circuit parameters as Fig. 1

DC resistance ⁽³⁾	Sum of winding resistances R _{DCP} + R _{DCS}	165	-	207	Ω
Leakage inductance, ΔL		3	3.9	5	mH
Shunt inductance, L _p ⁽⁴⁾	200Hz 10mV	6	9	-	H
Shunt loss, R _p	200Hz 10mV	12	15	-	kΩ

Notes:

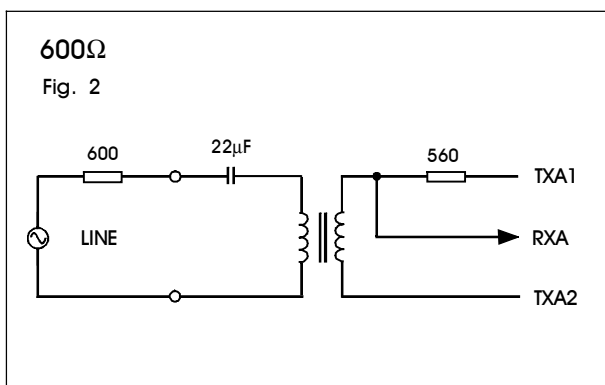
1. Third harmonic typically exceeds other harmonics by 10dB.
2. Components are 100% tested at 6.5kVDC.
3. Caution: do not pass DC through windings. Telephone line current must be diverted using semiconductor line hold circuit or choke.
4. At signal levels greater than 100mV, L_p will increase and R_p will decrease slightly but the effect is usually favourable to the return loss characteristic.
5. Return loss and transhybrid loss can be improved to 30dB in improved matching circuit. The values shown relate to the simplest configuration, Fig. 2.



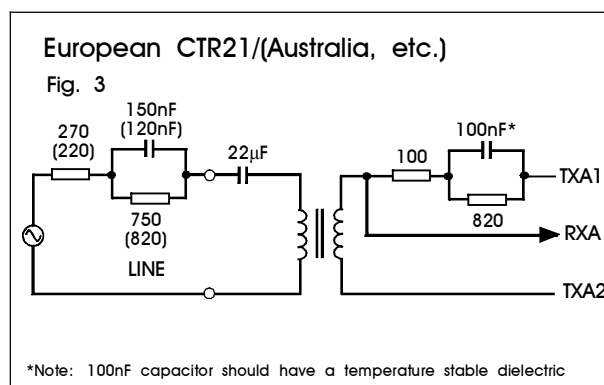
MATCHING RECOMMENDATIONS

The following recommendations start with the simplest implementations and progress to enhanced performance utilizing additional components. Good performance is achieved even with the simplest configurations. The implementations assume a low impedance balanced TX drive and a relatively high impedance RX input, as is commonly available, though use with other TX/RX arrangements is straightforward. Note that there are no changes to components on the line side, or in the hybrid, whether 600Ω or complex reference impedance selected, thus assisting country configuration. For complex impedance, the matching circuits derived are suitable for reference impedances of the type 270 + 750//150nF e.g. European CTR21 and 220 + 820//120nF (or 115nF) e.g. Australia, South Africa, etc., and yield similar performance characteristics. For other impedances, please contact Profec Technologies.

Minimum Cost Implementations

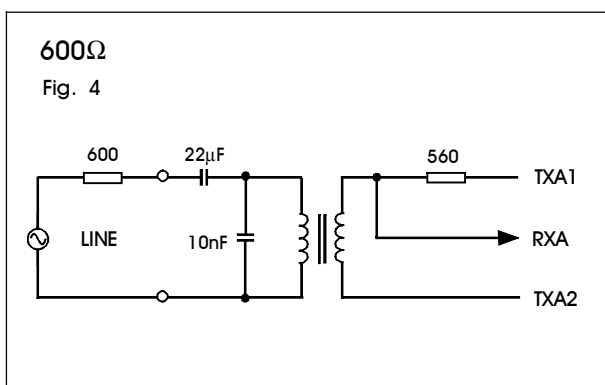


Insertion Loss: 1.8dB @ 2kHz
 Frequency Response : ±0.2dB 30Hz – 10kHz
 Return Loss: 16dB 200Hz – 4kHz
 Transhybrid Loss: 22dB 200Hz – 4kHz

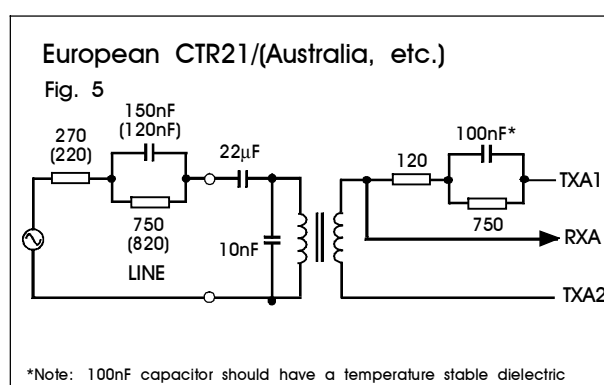


Insertion Loss: 1.0dB @ 2kHz
 Frequency Response : ±0.5dB 50Hz – 4kHz
 Return Loss: 18dB 200Hz – 4kHz
 Transhybrid Loss: 14dB 200Hz – 4kHz

Improved matching



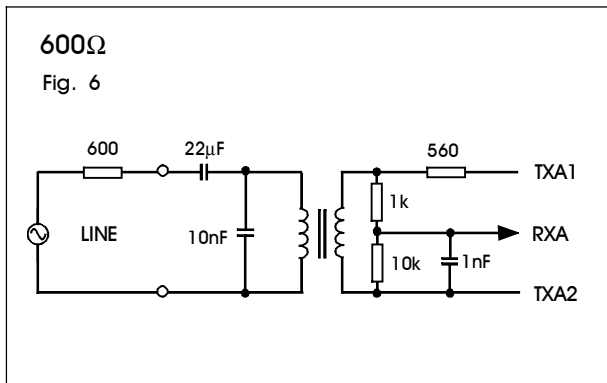
Insertion Loss: 1.8dB @ 2kHz
 Frequency Response : ±0.2dB 30Hz – 10kHz
 Return Loss: 18dB 200Hz – 4kHz
 Transhybrid Loss: 22dB 50Hz – 10kHz



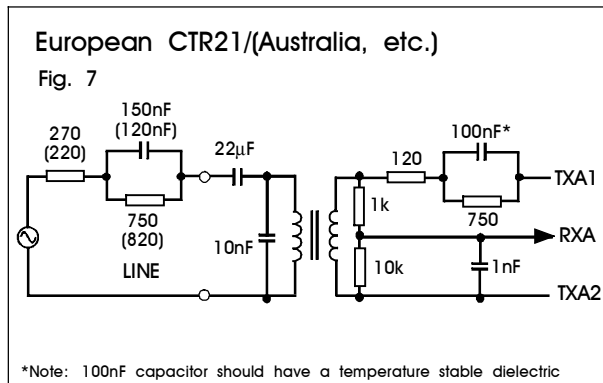
Insertion Loss: 1.0dB @ 2kHz
 Frequency Response : ±0.5dB 50Hz – 4kHz
 Return Loss: 20dB 200Hz – 4kHz
 Transhybrid Loss: 16dB 50Hz – 4kHz

Patented

Improved matching and hybrid



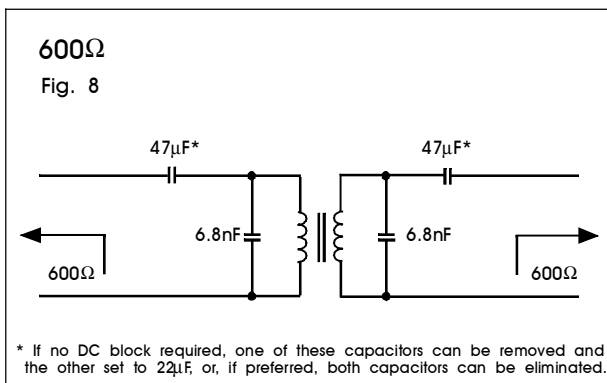
Insertion Loss (Line to RXA): 2.8dB @ 2kHz
 Frequency Response : ±0.2dB 30Hz – 10kHz
 Return Loss: 20dB 200Hz – 4kHz
 Transhybrid Loss: 30dB 50Hz – 10kHz



*Note: 100nF capacitor should have a temperature stable dielectric

Insertion Loss (Line to RXA): 2.2dB @ 2kHz
 Frequency Response : ±0.5dB 50Hz – 4kHz
 Return Loss: 20dB 200Hz – 4kHz
 Transhybrid Loss: 18dB 200Hz – 4kHz

600Ω Instrumentation



* If no DC block required, one of these capacitors can be removed and the other set to 22µF, or, if preferred, both capacitors can be eliminated.

Insertion Loss: 1.5dB @ 2kHz
 Frequency Response : ±0.2dB 20Hz – 20kHz
 Return Loss: 16dB 20Hz – 20kHz

SAFETY

Constructed in accordance with IEC 60950-1, EN 60950-1 and UL 60950-1, supplementary insulation, 250Vrms maximum working voltage, flammability class V-0.

CERTIFICATION

Certified under the IEC CB scheme (Certificate DK-8570) to IEC 60950-1-2001, sub-clauses 1.5, 1.5.1, 1.5.2, 1.7.1, 2.9, 2.9.1, 2.9.2, 2.9.3, 2.10, 2.10.1, 2.10.2, 2.10.3, 2.10.3.1, 2.10.3.3, 2.10.4, 2.10.5, 2.10.5.1, 2.10.5.2, 2.10.5.4, 4.7, 4.7.1 (classV-1), 4.7.3, 4.7.3.1, 4.7.3.4, 5.2, 5.2.1, 5.2.2, 6.1.2.1 (Finland, Norway, Sweden national deviations) for a maximum working voltage of 250Vrms, nominal mains supply voltage not exceeding 300Vrms and a maximum operating temperature of 70°C in Pollution Degree 2 environments.

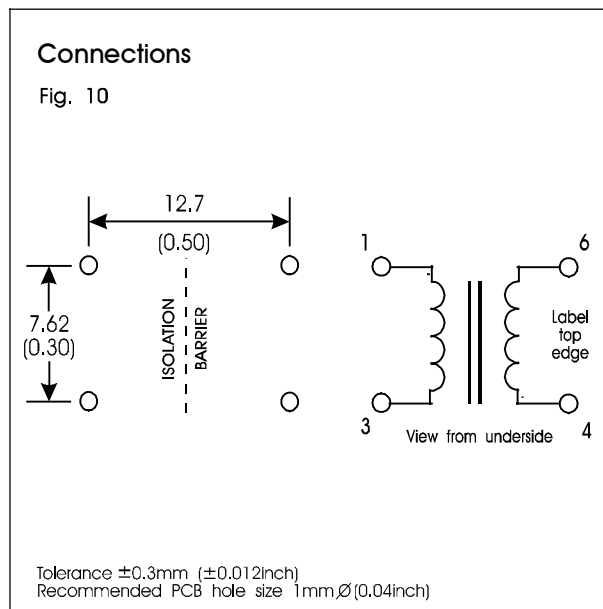
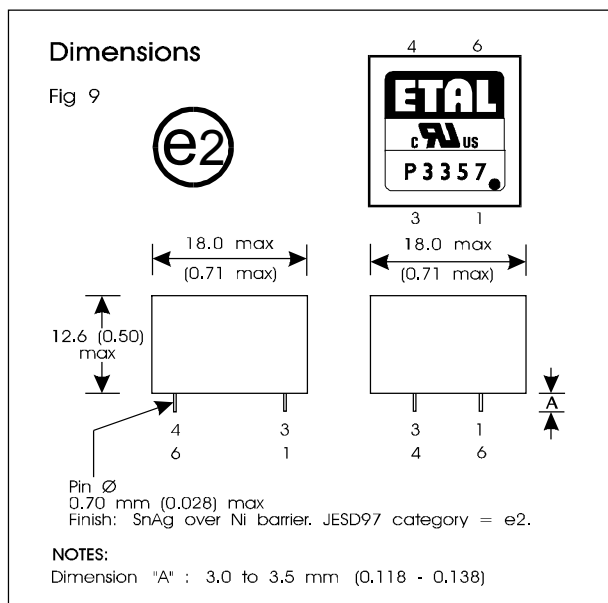
Recognized under the Component Recognition Program of Underwriters Laboratories Inc. to US and Canadian requirements CAN/CSA C22.2 No. 60950-1-03/UL60950-1, First Edition, based on IEC 60950-1, First Edition, maximum working voltage 180Vrms (creepage), 420V peak (clearance), Pollution Degree 2, supplementary insulation.

UL File number E203175.

Additionally, Profec Technologies certifies all transformers as providing voltage isolation of 2.12kVrms, 3kV DC minimum. All shipments are supported by a certificate of conformity to current applicable safety standards.

Patented

CONSTRUCTION



Dimensions shown are in millimetres (inches).

Geometric centres of outline and pin grid coincide within a tolerance circle of 0.6mm \varnothing .

Windings may be used interchangeably as primary or secondary and are not oriented in potting box.

ABSOLUTE MAXIMUM RATINGS

(Ratings of components independent of circuit).

Short term isolation voltage (1s)	4.6kVrms, 6.5kVDC
DC current	100 μ A
Storage temperature	-40°C to +85°C
Lead temperature, 10s	260°C

INTELLECTUAL PROPERTY RIGHTS

ETAL, P3356 and P3357 are Trade Marks of Profec Technologies Ltd.

The Trade Mark ETAL is registered at the UK Trade Marks Registry.

Profec Technologies Ltd. is the owner of the design right under the Copyright Designs and Patents Act 1988 and no rights or licences are hereby granted or implied to any third party.

P3357 design and construction are protected by patents.

British Patent No. 2333646.

USA Patent No. 6, 344, 787

European Patent No. 1082734

China Patent No. ZL 99806739.3

© 1998 - 2005 Profec Technologies Ltd.

Reproduction prohibited.



ISO 9001
FM 25326

Profec Technologies Ltd., 10 Betts Avenue, Martlesham Heath, Ipswich, IP5 3RH, England

Telephone: +44 (0) 1473 611422

Website: www.profec.com

Fax: +44 (0) 1473 611919

Email: info@profec.co.uk sales@profec.com